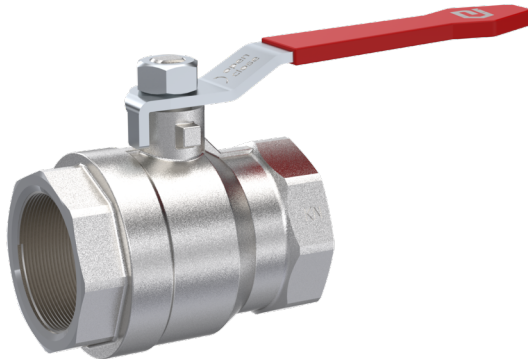


Thread Ball valve Brass type GK01



description:

Thread Ball valve made of Brass with Brass handle and Brass Ball to shut off pipeline systems.

features:

- suitable for neutral and not neutral **gaseous & liquid media**
- free of silicone
- blow-out proof nickel plated brass stem

connection:

1/4", 3/8", 1/2", 3/4", 1", 1 1/4", 1 1/2", 2", 2 1/2", 3", 4" Inch

construction:

Full port design

pressure:

0 – 40 bar – depending on design

design:

reduced port design

thread:

According to DIN ISO 228-1

body:

Brass nickel plated

ball:

Brass chrome plated

ball sealing:

PTFE

stem seal:

2 O-ring Viton

handle:

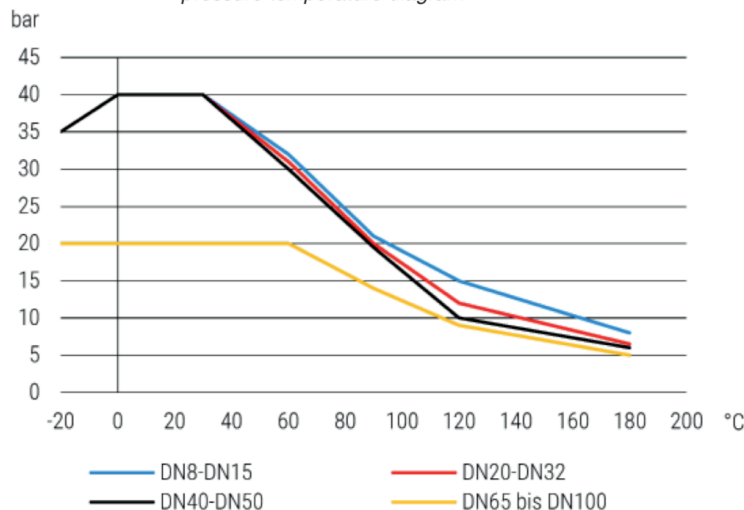
Steel zinc coated with red plastic cover

From DN65 aluminium red coated

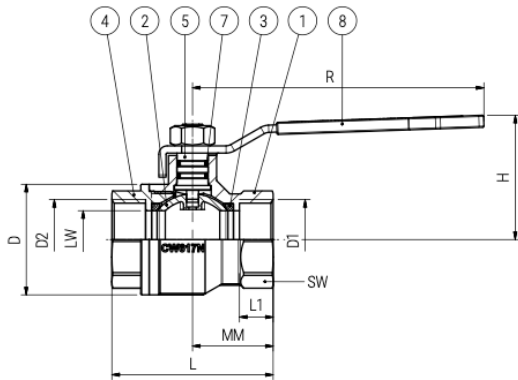
temperature:

-20°C up to +180°C (depending on working pressure)

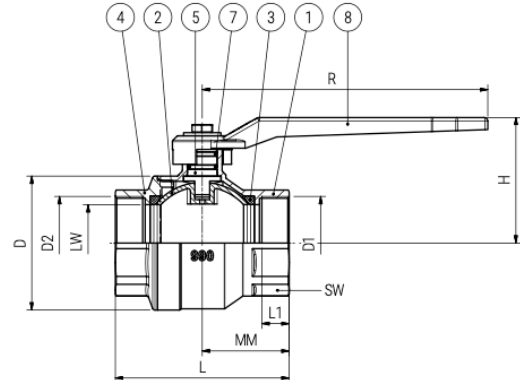
Druck-Temperaturdiagramm
pressure temperature diagram



version: female x female thread:



DN8 – DN50



DN65-DN100

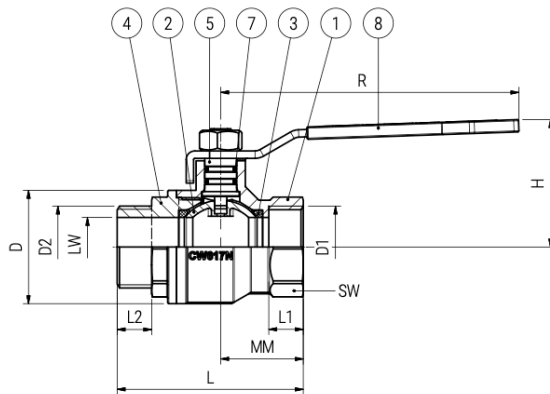
dimensions:

DN	LW	PN	D1 / D2	L	L1	H	R	SW	MM	weight (kg)
8	8	40	G 1/4"	39	9,5	34,5	82	20	19,5	0,13
10	9,5	40	G 3/8"	39	9,5	34,5	82	20	19,5	0,11
15	14,7	40	G 1/2"	50	11	39	102	25	25	0,20
20	19	40	G 3/4"	56	11	42	102	31	28	0,28
25	23,8	40	G 1"	67	14	52	121	38	33,5	0,44
32	30	40	G 1 1/4"	77	14	56	121	48	38,5	0,67
40	38	40	G 1 1/2"	90	16	71,5	158	54	45	1,02
50	48	40	G 2"	106	18	79,5	158	66	53	1,52
65	65	20	G 2 1/2"	140	22	101,5	230	82	70	2,96
80	74	20	G 3"	167	29	120	270	96	83,5	4,90
100	98	20	G 4"	207	33	137,5	270	125	103,5	8,48

materials grid:

no.	description	material	material description
1	body	brass (nickel-plated)	CW617N
2	ball	brass (chrome-plated)	CW614N
3	ball seal	PTFE	-
4	flange / nipple	brass (nickel-plated)	CW617N
5	stem	brass (chrome-plated)	CW614N
7	spindle seal	FKM	-
8	handle	steel (zinc-plated) / Aluminium*	-

version: female x male thread:



DN8 – DN50

dimensions:

DN	LW	PN	D1 / D2	L	L1	L2	H	R	SW	MM	weight (kg)
8	6	40	G 1/4"	47,5	9,5	9	34,5	82	20	19,5	0,13
10	9	40	G 3/8"	47,5	9,5	9	34,5	82	20	19,5	0,13
15	14	40	G 1/2"	57,5	11	11	39	102	25	25	0,21
20	19	40	G 3/4"	65,5	11	12	42	102	31	28	0,32
25	24	40	G 1"	75,5	14	14	52	121	38	33,5	0,48
32	30	40	G 1 1/4"	86	14	15	56	121	48	38,5	0,75
40	38	40	G 1 1/2"	97,5	16	17	71,5	158	54	45	1,07
50	48	40	G 2"	114,5	18	19	79,5	158	66	53	1,70

materials grid:

no.	description	material	material description
1	body	brass (nickel-plated)	CW617N
2	ball	brass (chrome-plated)	CW614N
3	ball seal	PTFE	-
4	flange / nipple	brass (nickel-plated)	CW617N
5	stem	brass (chrome-plated)	CW614N
7	spindle seal	FKM	-
8	handle	steel (zinc-plated)	-

article number:

Type	Version	Connection	Seal	Size
GK01	0 – brass	0 – female / female 1 – female / male	00 – PTFE	01 – 1/4" 02 – 3/8" 03 – 1/2" 04 – 3/4" 05 – 1" 06 – 1 1/4" 07 – 1 1/2" 08 – 2" 09 – 2 1/2" 10 – 3" 11 – 4"

Example no. GK01000005:

GK01	0	0	00	05
-------------	----------	----------	-----------	-----------

Thread ball valve

Version: brass

Seal: PTFE

Size: 1"

Connection: female / female

Image similar, subject change without notice.